

# Nfina 8224R-i20



## FEATURES:

- 2U rack-mount dual-socket server
- Choice of 2nd Generation Intel® Xeon® Scalable Processors
  - Platinum, Gold, Silver and Bronze available
  - 2.7GHz to 4.0GHz processor speeds available
  - Up to 28 cores per processor
- Intel® Advanced Vector Extensions (AVX-512)
  - Accelerates deduplication, encryption, compression, & decompression
  - Double the flops per clock cycle of AVX2
- Intel® Ultra Path Interconnect
- Up to 1.5TB total memory
- Supports Intel® Optane™ Memory
- 24 x 2.5" hot-swap drive bays
  - Supports SAS, SATA, SSD, & NVMe
- Up to 368TB storage
- 12Gb/s SAS capable
- Redundant hot-swap power supplies
- 2 x 10GbE (100/1000/10000) LAN ports, 1 x 1GbE (mgmt port)

The Nfina Technologies 8224R-i20 storage server delivers a high-performance, high-density storage solution ideally suited for file server and backup storage applications.

The Nfina 8224R-i20 with 2nd Generation Intel® Xeon® Scalable processors is truly a breakthrough storage and compute platform. Delivering 4.2x greater virtual machine performance, and 65 percent lower cost of ownership compared to four year old devices, greatly reducing strain on both your users and your budget. If even greater performance is required, this server is the ideal candidate for an all-flash storage array and can be loaded with 24 SSD or NVMe direct attach drives, alleviating the I/O bottleneck between high performance and capacity.

In environments consisting of hyperconverged systems, virtualized systems, advanced analytics, or artificial intelligence, the 8224R-i20 delivers on performance and efficiency. Data centers for enterprise, military, and municipal government will benefit from Nfina's outstanding value, reliability and performance.

Nfina products deliver exceptional functionality by creating products that are easily customized to fit specific applications. Designed and built for virtualized computing environments, our products provide highdensity, maximum yield solutions for our customers. Multiple options for high performance computing, including I/O, RAID, storage, and memory options make our products a custom fit for many applications.

All Nfina Technologies' servers are backed by a five-year limited warranty and include 24x7 tech support with remote diagnostics. Next day and four hour onsite response options are available.

**SERVERS**

**DATA STORAGE**

**PCs & WORKSTATIONS**

**n-fina**  
EDGE SOLUTIONS

# NFINA 8224R-i20

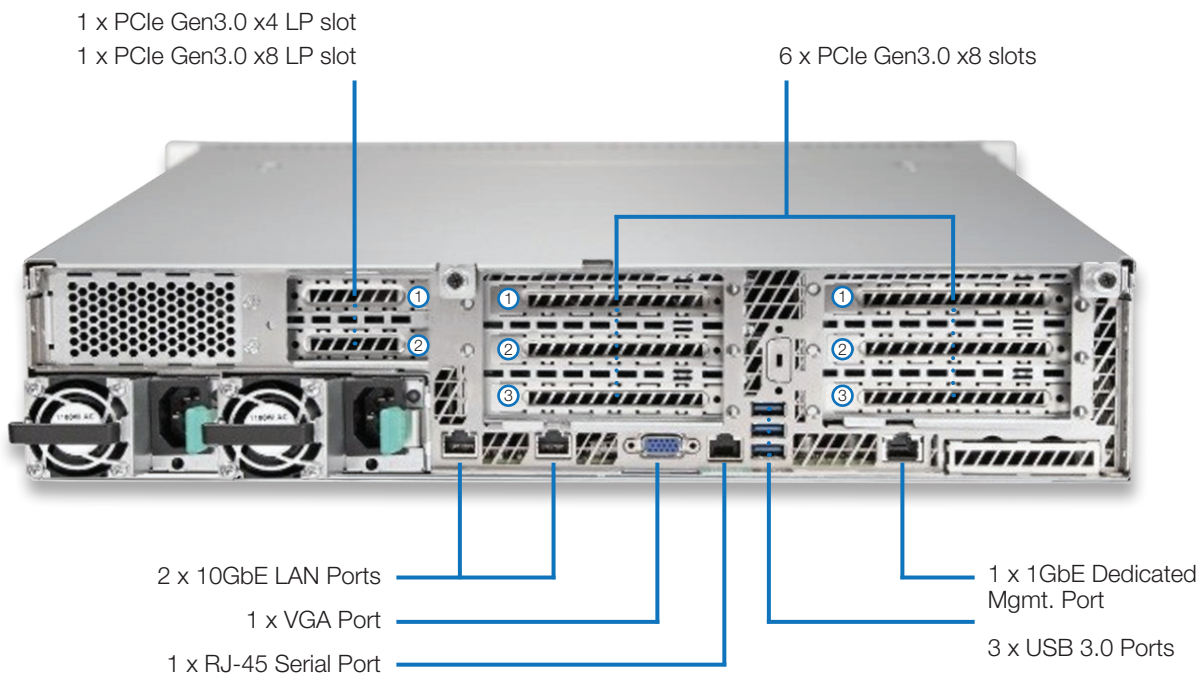
## SPECIFICATIONS

Form Factor	2U rack-mount, 3.44" x 16.93" x 27.95"
Operating Temperature	10°C to 35°C (50°F to 95°F)
Processor	2nd Generation Intel® Xeon® Scalable Processors, up to 28 cores each
Processor Speed	2.7GHz to 4.0GHz
Socket	Dual Socket P
Memory	Up to 24 DIMM slots, DDR4 ECC 2933 MHz 1.5TB Max memory capacity Intel® Optane™ Memory supported
Storage	24 x 2.5" hot-swap drive bays (front) Supports: 24 NVMe, SSD, and HDD drives 2 x 2.5" rear mounted hot-swap drives (optional) 2 x Internal M.2 NVMe/SSDs (2280), PCIe® or SATA (optional)
Maximum Storage	Up to 368TB, depending on drive type
Software RAID	0,1,10, optional 5
Hardware RAID/Caching	Hardware RAID optional, Caching available
Virtual RAID on CPU for NVMe drives	Choose: VROC Premium (0,1,5,10), VROC Standard (0,1,5), or Passthrough (No RAID)
Input Voltage	100-127V @ 8.5A, 50/60 Hz, 200-240V @ 7.5A, 50/60 Hz
Power Supply	Redundant hot-swap power supplies @ 1300W AC
Remote Management	IPMI 2.0, KVM over HTML5
TPM	Version 2.0, optional
OS Supported	Microsoft® Windows Server® 2016, 2019, Windows® 10 Pro/Enterprise, VMware® ESXi™ 6.0-7.0, Open-E® JovianDSS™ & DSS7, Red Hat® RHEL 5,6,7x, SUSE® SLES 11,12, Ubuntu 14,15,16,17, CentOS™ 6,7, XenServer® 6.5-7.6, more options available
Certifications	NRTL Nemko (US, Canada), CE (Europe), RCM (Australia/NZ), GS (Germany), FCC (US), ICES-3(A) (Canada), KC (Korea), Ukraine Certification, BSMI (Taiwan), EAC (Russia), VCCI-A (Japan), RoHS EVPU 20 (China), MIC (Vietnam)
Warranty	5 years

# NFINA 8224R-i20

## SPECIFICATIONS

I/O	3 x USB 3.0 ports (rear) 1 x USB 2.0 ports (front) 1 x RJ-45 Serial (rear)
Display	1 x VGA port (rear)
Ethernet	2 x 10GbE LAN (100/1000/10000) standard, other options available 1 x 1GbE (Dedicated management port)
PCIe® Slots	7 x PCIe® Gen3 x8 1 x PCIe® Gen3 x4



© 2021 Nfina Technologies, Inc. All rights reserved. Intel® and XEON® are registered trademarks of Intel Corporation. Other trademarks and trade names that may be used in this document are owned by their respective companies.

Nfina believes the information in this document is accurate as of its publication date. The information is subject to change without notice. The contents of this document are provided as-is, without any express or implied warranties of any kind.

Rev. 012221

**Address:** 820 S. University Blvd. Suite 4E, Mobile, AL 36609

**Email:** [nfina\\_sales@n-fina.com](mailto:nfina_sales@n-fina.com)

**Telephone:** 251.243.0043

**Website:** [www.n-fina.com](http://www.n-fina.com)